

W80S SERIES-2012 Design-Spring Ring Locking 8 INCH SIDE ENTRY MEMBRANE HOUSING

MEMBRANE HOUSING DATASHEET

W80S150, W80S300, W80S450, W80S600, W80S1000, W80S1200

General information

Winder W80S Series is membrane housing of 8" diameter with side entry. This is used for commercial, municipal and industrial RO applications. Vessel models are available up to a maximum operating pressure of 150 PSI, 300 PSI, 450 PSI, 600 PSI, 1000 PSI & 1200 PSI with multi-ports connectivity. These are made up of epoxy / glass composite to meet the demands of long term and continuous use in RO processes. Winder W80S Series vessels can accommodate any standard 8" membrane element.

Standard element length = 40" long

CERTIFICATION:

- W80S coded: ASME code compliant, NSF certified



Threaded side port; seal seating on side port

HIGHER TECHNOLOGY, CLEANER WATER!

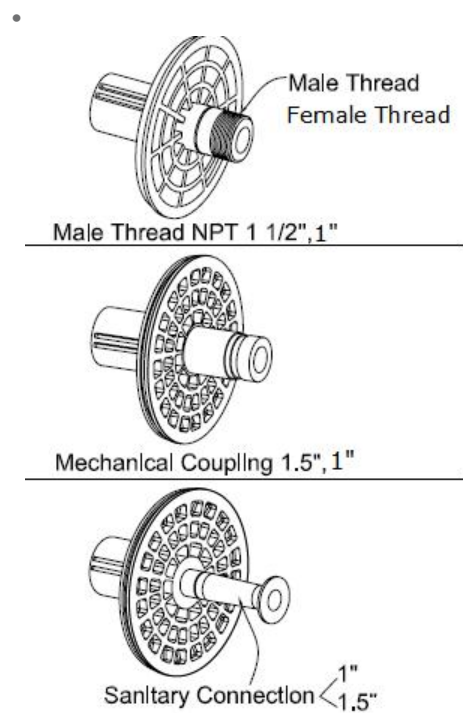
Winder® - W80SSERIES

8 INCH SIDE ENTRY MEMBRANE HOUSING

MEMBRANE HOUSING DATASHEET

UNIQUE BENEFITS

- Integrally Wound Locking Groove: Integrally wound locking groove gives enhanced end margin strength for better performance
- Flexibility in permeate piping: Standard permeate ports can be customized, NPT, BSPP, UNION, etc.
- Reduced system cost: Availability of Multiple Side port options for high flow rate cuts down the investments on expensive manifolds
- Ultrapure / Sanitary Applications: W80S Serie can accommodate optionally a special designed sanitary connection for the coded models



UNITUE FEATURES

- Mirror Finish ID for easy & quick loading and unloading of membranes
- Multi-ports options available with 1.5", 2.0", 2.5"&3" diameter for connecting vessels to each other
- Quick lock head retention system for quick access to membranes
- Exteriors coated with high gloss paint for UV resistance
- Head seal is captured, hence doesn't roll during head assembly fitment
- Compatible for using in all water type application
- Available in ASME certified & CE marked models
- Available in ASME code compliant and non-coded models

Winder® W80S SERIES SPECIFICATION*

Code Compliant

MODEL	MAX OPERATION PRESSURE	MAX OPERATION TEMPRATURE	QUALIFICATION PRESSURE	ELEMENT LENGTH
W80S150	150 PSI /10 Bar	190 °F / 88 °C	900PSI/62 Bar	1-8
W80S300	300 PSI /20 Bar	190 °F / 88 °C	1800PSI/124 Bar	1-8
W80S450	450 PSI /31 Bar	190 °F / 88 °C	2700PSI/186 Bar	1-8
W80S600	600 PSI /41 Bar	190 °F / 88 °C	3600PSI/248 Bar	1-8
W80S1000	1000 PSI/68Bar	150 °F / 66 °C	6000PSI/413 Bar	1-8
W80S1200	1200 PSI/82Bar	150 °F / 66 °C	7200PSI/496 Bar	1-8

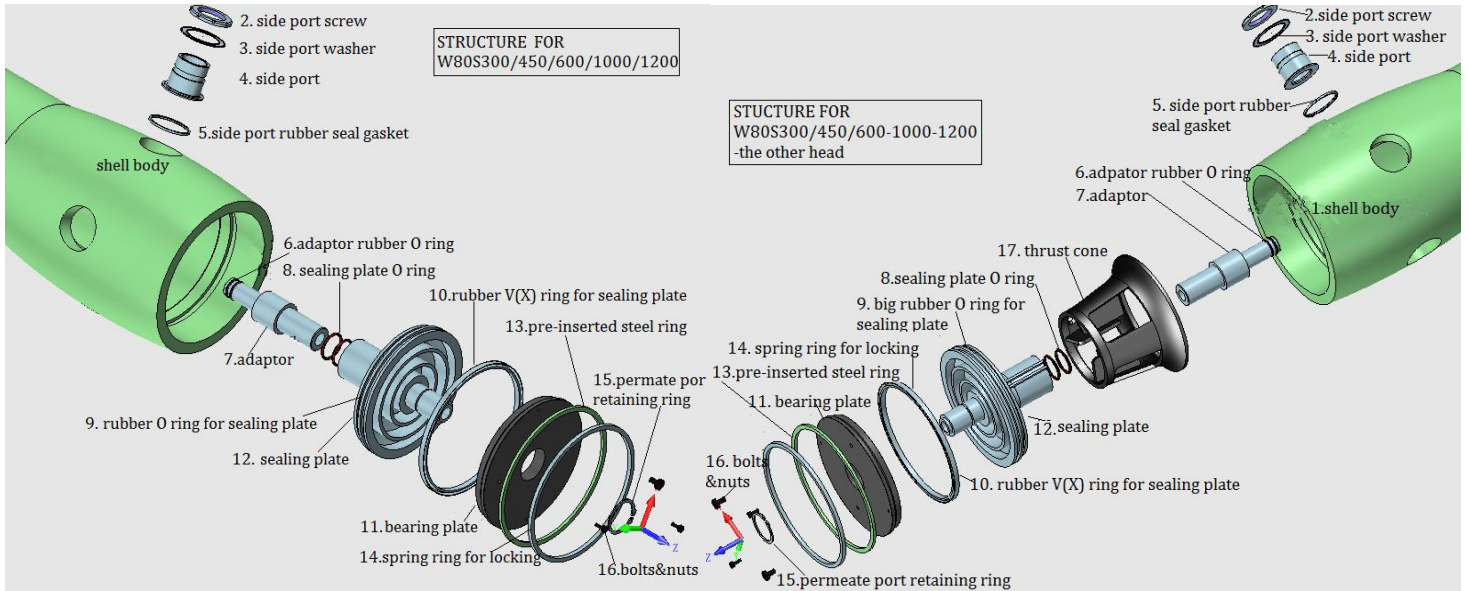
HIGHER TECHNOLOGY, CLEANER WATER!

Winder® - W80SSERIES

8 INCH SIDE ENTRY MEMBRANE HOUSING

MEMBRANE HOUSING DATASHEET

EXPLODED VIEW&DETAILS(CODED MODELS)-GENERAL VIEW FOR VISUAL REFERENCE



No.	QTY	DESCRIPTION	MATERIAL
1	1	Shell	Filament Wound Epoxy /Glass composites. Head Locking grooves integrally wound.
2	2	Side Port Screw	Stainless Steel
3	2	Side Port Washer	Stainless Steel
4	AR	F / C Port	SUS304,SUS316.Super duplex Stainless Steel
5	AR	F / C Port Seal Gasket	EPDM
6	2	Adapter Seal	EPDM- o Ring
7	2	Adapter	Engineering Thermoplastic
8	2	Sealing Plate O Ring	EPDM - o Ring
9	2	Rubber O ring for sealing plate	EPDM - o Ring
10	2	Rubber V(X) Ring for Sealing Plate	EPDM -X(V) Ring
11	2	Bearing Plate	6061-T6 Aluminum Alloy - Hard Anodized
12	2	Sealing Plate	Engineering Thermoplastic
13	2	Preinserted Steel Ring	Stainless Steel
14	2	Spring Ring for Locking	Stainless Steel
15	2	Permeate Port Retaining Ring	Stainless Steel
16	4	Bolts and nuts	Stainless Steel
17	1	Thrust Cone	Engineering Thermoplastic
15*	AR	Saddle	Engineering Thermoplastic
16*	AR	Strap Assembly	304 Stainless Steel - PVC Cushion
17*	AR	Strap Screw	Stainless Steel

HIGHER TECHNOLOGY, CLEANER WATER!