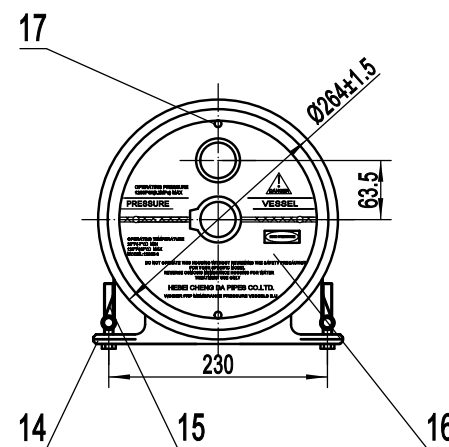


警告!
 淡水口内部压力必须不超过
 120PSI (0.84Mpa)
 淡水出水口
 1"BSPP内螺纹
 Internal pressure must not
 exceed 120PSI (0.84Mpa)
 Fresh water outlet
 BSPP 1" internal thread



| | |
|---|---|
| 水压测试 Hydrostatic leakage test | 试验压力为设计压力的1.1倍, 采样率: 100% The test pressure is 1.1 times the design pressure, and the sampling rate is 100%. |
| 巴氏硬度 Barcol hardness test | RT-440 |
| 重量 Vessel weight test | RT-430 |
| 厚度 Thickness check | RT-420 |
| 检验 Test | 方法 METHOD |
| 介质名称 Media name | 水 Water |
| PH 值 PH value | 3-11 |
| 设计压力 Design pressure | 1200PSI |
| 最低允许温度 Minimum allowable temperature | 20°F(-7°C) |
| 最高允许温度 Maximum allowable temperature | 120°F(49°C) |

| 长度编码 Length Code | L Inch (mm) | A Inch (mm) | S Inch (mm) | 重量 WEIGHT lb (kg) |
|---------------------|-------------------|-------------------|-------------------|----------------------------|
| 1 | 64.13 (1629) | 60.08 (1526) | 67.28 (1709) | 109.6 (49.8) |
| 2 | 104.13 (2645) | 100.08 (2542) | 107.28 (2725) | 152.5 (69.3) |
| 3 | 144.13 (3661) | 140.08 (3558) | 147.28 (3741) | 195.4 (88.8) |
| 4 | 184.13 (4677) | 180.08 (4574) | 187.28 (4757) | 238.3 (108.3) |
| 5 | 224.13 (5693) | 220.08 (5596) | 227.28 (5773) | 281.2 (127.8) |
| 6 | 264.13 (6709) | 260.08 (6602) | 267.28 (6789) | 324.1 (147.3) |
| 7 | 304.13 (7725) | 300.08 (7622) | 307.28 (7805) | 367.0 (166.8) |
| 8 | 344.13 (8741) | 340.08 (8638) | 347.28 (8821) | 409.9 (186.3) |

| | | | |
|----|------------------------------|-----|----------------------|
| 17 | 紧固螺丝 SCREW | 4 | SA-193 |
| 16 | 承载板标签 LOGO LABEL | 2 | 不干胶标签 ADHESIVE LABEL |
| 15 | 钢带 STRAP | 2/3 | A-666,304 |
| 14 | 鞍座 SADDLE | 2/3 | TPU(S60D) |
| 13 | 钢带螺母 STRAP NUT | 4/6 | SA-479M F316L |
| 12 | 承压头V型圈 HEAD SEAL T RING | 2 | EPDM 512 |
| 11 | 承压头O型圈 HEAD SEAL O RING | 2 | EPDM 512 |
| 10 | 卡圈 PERMEATE RETAINING RING | 2 | SA-479M F316L |
| 9 | 承载板 BEARING PLATE | 2 | SB-209,6061-T651 |
| 8 | 承压头(1200Psi) HEAD SEAL | 2 | PF062-3 |
| 7 | 适配器 ADAPTOR | 2 | ABS CHIMEI 757K |
| 6 | 适配器O型圈 ADAPTOR O RING | 4 | EPDM 512 |
| 5 | 钢带护套 STRAP PROTECTIVE JACKET | 2/3 | 软质 PVC SOFTY PVC |
| 4 | 止推环 THRUST CONE | 1 | PF062-3 |
| 3 | 三圈 RETAINER RING | 2 | SA-479M F316L |
| 2 | 嵌入钢圈 EMBEDDED RING | 2 | SA-312, TP316L |
| 1 | 壳体 SHELL | 1 | FIBER GLASS + EPOXY |
| 序号 | 名称 | 数量 | 材料 |

| | | | | |
|--|------|---|-------------|----------------|
| SIGNATURE | | Winder 河北成达管业有限公司 HEBEI CHENG DA PIPES CO.,LTD | | |
| DESIGN | NAME | DATE | 比例 SCALE | 材料 MATERIAL |
| REVIEW | | | 数量 QUANTITY | 描述 DESCRIPTION |
| THIS DRAWING CAN NOT BE USED WITHOUT PRIOR WRITTEN APPROVAL OF OUR COMPANY | | 投影 PROJ | 电脑编号 NO. | 图号 DRAWING NO. |
| DO NOT MEASURE THE DIMENSIONS. | | | 单位 UNIT:MM | |