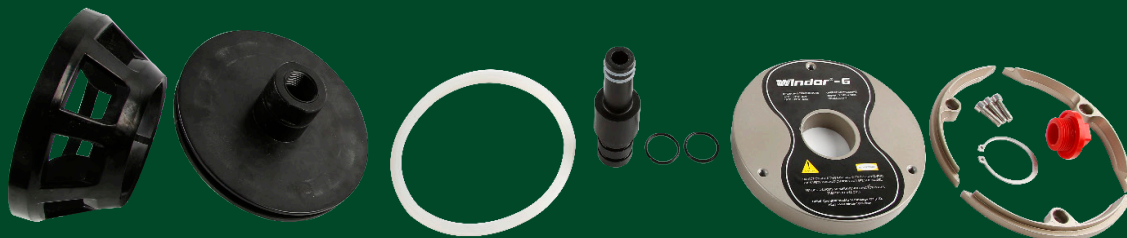




G80S300/G80S450 (侧开 SIDE PORT)



产品说明

Description

成达华膜科技有限公司与上海华膜实业有限公司携手打造出一款 **Winder-6** 专供系列产品：G80S 侧开系列膜壳，工作压力300PSI/450PSI (1 芯-7 芯)，适用于污水处理，产品已通过ISO 9001、ISO 14001、OHSAS 18001、饮用水卫生安全认证，并自主研发多项专利。

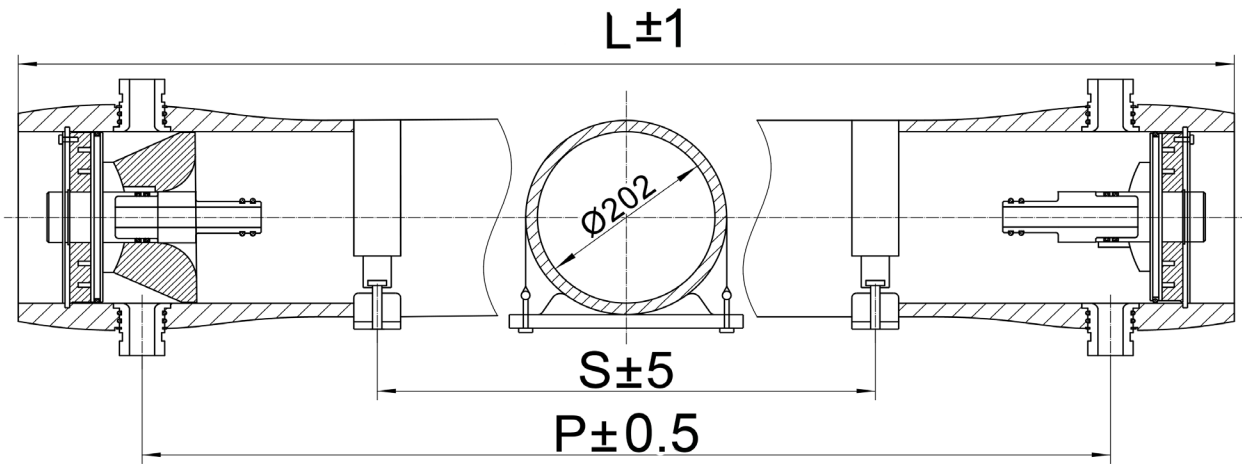
Hebei ChengDa HuaMo Technology Co., Ltd. and Shanghai Minipore Industrial Co., Ltd. jointly develop & produce **Winder-6** series as an exclusively style. G80S FRP membrane housing with working pressure of 300 PSI/450PSI (1-7elements). The product is widely used in sewage treatment. ChengDa owns multinomial of patented products which have passed ISO 9001, ISO 14001, OHSAS 18001 and Drinking Water Sanitation & Safety Certification.

成达华膜科技

Hebei ChengDa HuaMo Technology Co., Ltd.



技术参数 Specification



G80S300/G80S450 (侧开 Side Port)

(型号) Item	G80S300 (侧开 Side Port)			G80S450(侧开 Side Port)		
	L (mm)	P (mm)	S (mm)	L (mm)	P (mm)	S (mm)
1S	1435	1120	715	1435	1120	715
2S	2453	2136	1731	2453	2136	1731
3S	3469	3152	2747	3469	3152	2747
4S	4485	4168	3763	4485	4168	3763
5S	5501	5184	4779	5501	5184	4779
6S	6517	6200	5795	6517	6200	5795
7S	7533	7216	6811	7533	7216	6811

* 本资料所列数据仅供参考，具体数据以实际产品为准。

*The data listed is for reference only, the specific data is subject to the actual product.



ISO 9001



ISO 14001



OHSAS 18001



中国卫生监督



ASME RP



生产制造商:

河北成达华膜科技有限公司
地址: 河北省枣强县创业路 19 号

Manufacturer:

Hebei ChengDa HuaMo Technology Co., Ltd.
ADD: No. 19 Chuangye Road, Zaoqiang County, Hebei Province.
T.&F://: +86 318 828 7859

www.chfrppressurevessel.com

总经销商:

华膜环保商城
(上海华膜实业有限公司及其分公司)



G40E300 (端开 End Port)



产品说明

Description

成达华膜科技有限公司与上海华膜实业有限公司携手打造出一款 **Winder-6** 专供系列产品：G40E 端开系列膜壳，工作压力300PSI（1芯-2芯），适用于污水处理，产品已通过ISO 9001、ISO 14001、OHSAS 18001、饮用水卫生安全认证，并自主研发多项专利。

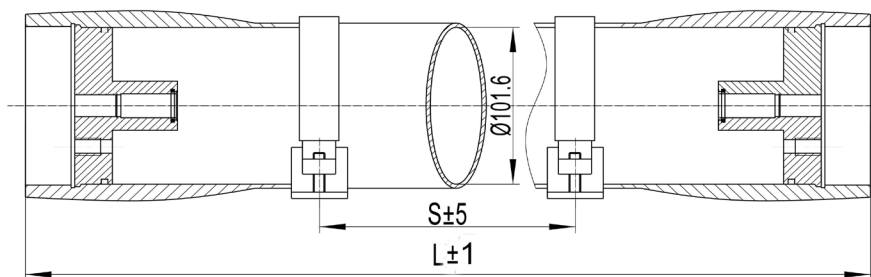
Hebei ChengDa HuaMo Technology Co., Ltd. and Shanghai Minipore Industrial Co., Ltd. jointly develop & produce **Winder-6** series as an exclusively style. G40E FRP membrane housing with working pressure of 300 PSI (1-2 elements). The product is widely used in sewage treatment. ChengDa owns multinomial of patented products which have passed ISO 9001, ISO 14001, OHSAS 18001 and Drinking Water Sanitation & Safety Certification.

成达华膜科技

Hebei ChengDa HuaMo Technology Co., Ltd.



技术参数 Specification



G40E300 (端开 End Port)

(型号) Item	G40E300 端开 / 低压 (End Port / Low Pressure)	
	L (mm)	S (mm)
1S	1135	600
2S	2151	1551

* 本资料所列数据仅供参考，具体数据以实际产品为准。
*The data listed is for reference only, the specific data is subject to the actual product.



ISO 9001



ISO 14001



OHSAS 18001



中国卫生监督



ASME RP



生产制造商：
河北成达华膜科技有限公司
地址：河北省枣强县创业路 19 号

Manufacturer:
Hebei ChengDa HuaMo Technology Co., Ltd.
ADD: No. 19 Chuangye Road, Zaoqiang County, Hebei Province.

总经销商：
华膜环保商城
(上海华膜实业有限公司及其分公司)

T.&F/:: +86 318 828 7859
www.chfrpressurevessel.com