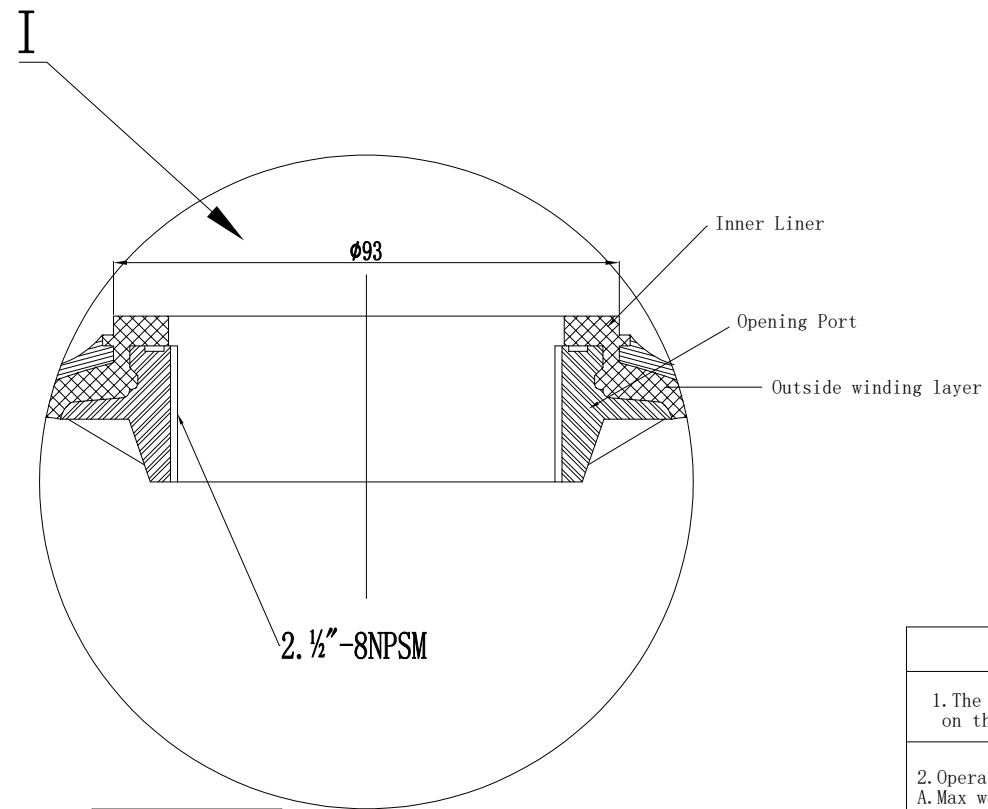
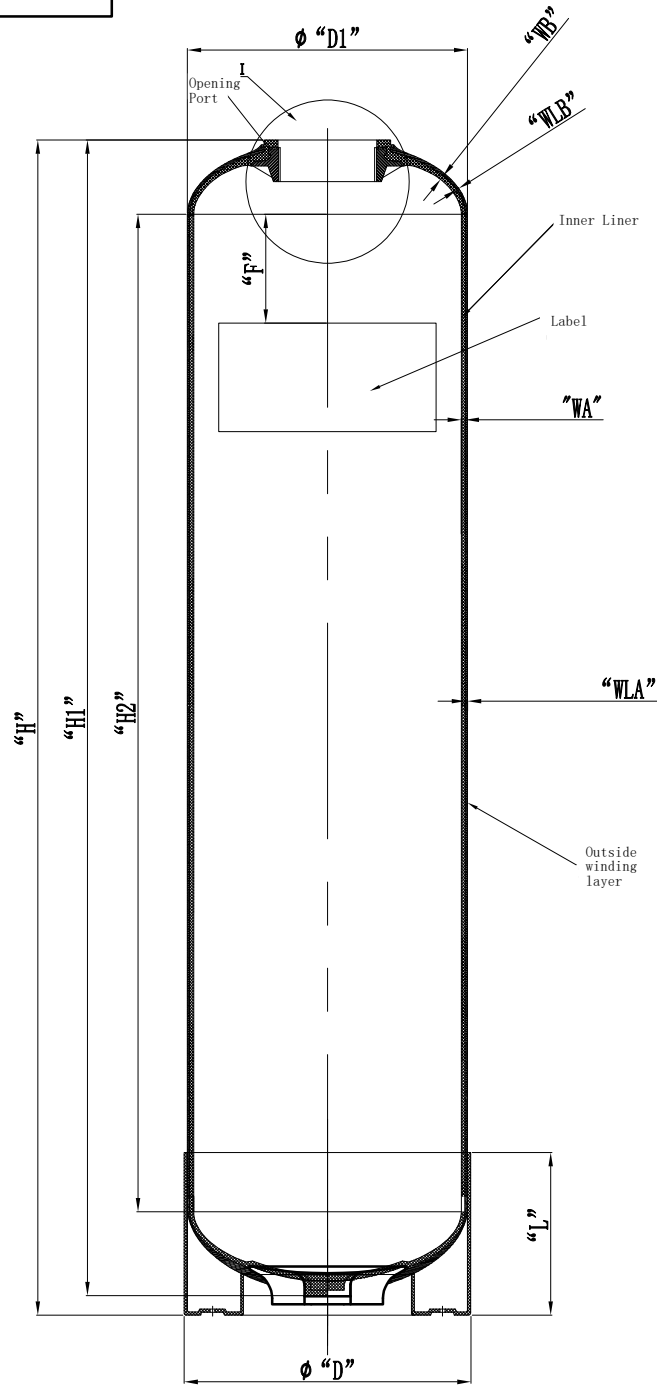


Technical Parameters

Model	Opening Size	VOL (Ltrs.)	Size Parameters (mm)											Base	Weight (kg)
			D1	D	H±6	H1	H2	L	F	WA	WLA	WB	WLB		
14×52	T 2.5"	115.3	359	369	1336	1331	1060	190	100	8	4	6	2	Standard	11±0.8
14×65	T 2.5"	146.8	359	369	1661	1656	1390	190	100	8	4	6	2	Standard	13.4±0.8



2. 1/2"-8NPSM	internal thread
Middle Dia	2.762-2.768"
Min Dia	2.705-2.715"
Max Dia	2.843-2.849"

Remark  
 1. Product type identification see outer packaging logo.  
 2. The product color is consistent with the color of the tape packaging box.

Note

- The vacuum valve must be installed on the device.
- Operation Instructions  
 A. Max working pressure: 8bar (125Psi)  
 B. Temperature Range: 1-50°C (34-127°F)  
 C. Maximum vacuum: 17Kpa (5" Hg)

Sign		Hebei Chengda WaterTechnology Co., Ltd.			
Designer	Signature Chengyang Sun	Date 2024. 7. 16	Material FRP	Projection	
Review	Jingwei Hu	2024. 7. 18	Model 14" up to 2.5"	Name: FRP tank	
Approve			Version number: 00	Description of Change Version	Drawing No. CD-22-09-27/ 01
Please don't measure the size of the drawing			Unit: mm	1 Page Page 1	