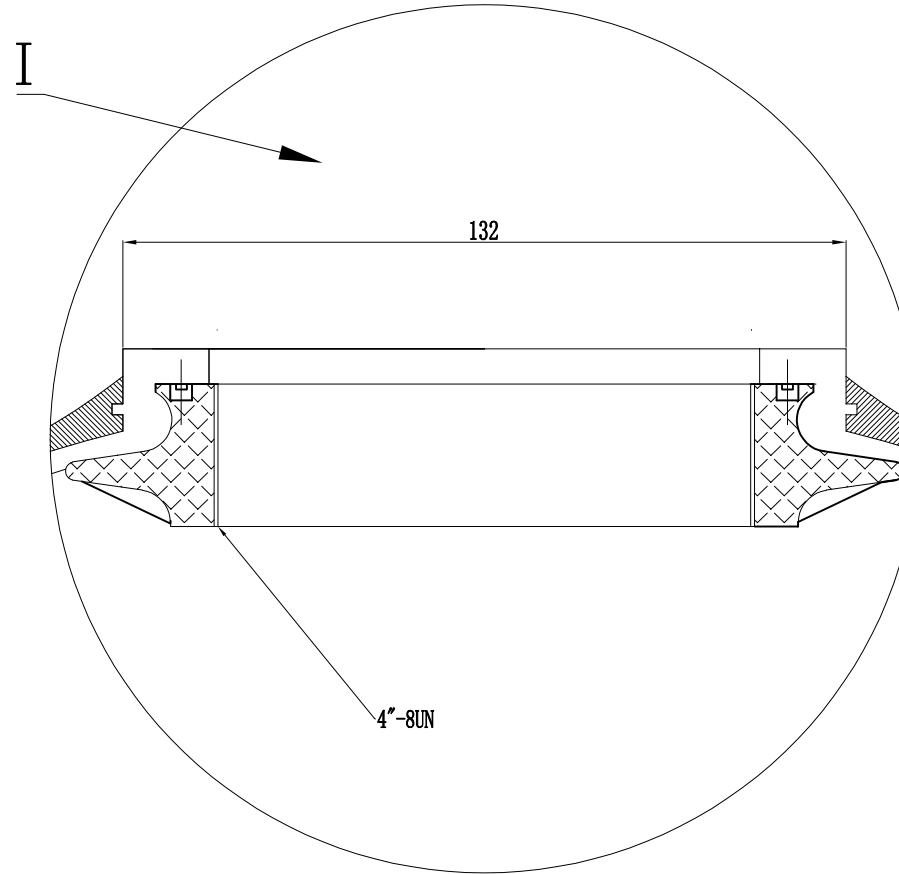
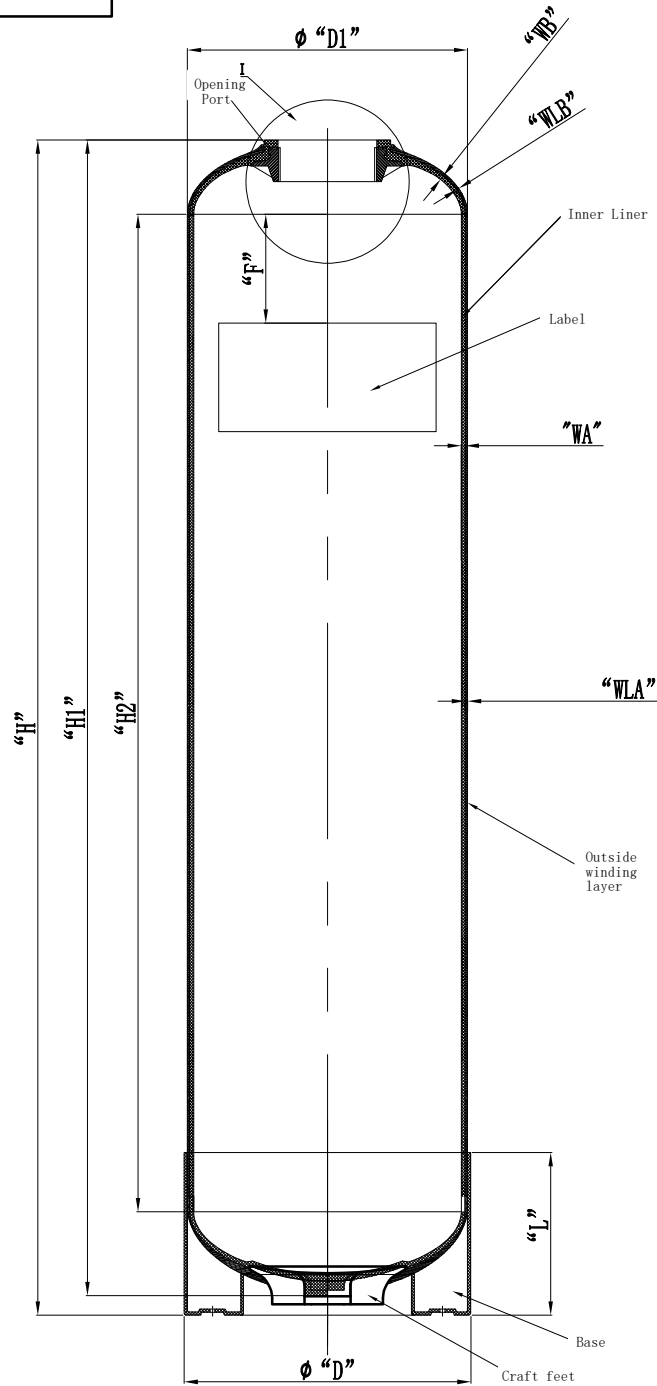


Technical Parameters

Model	Opening Size	VOL (Ltrs.)	Size Parameters (mm)											Base	Weight (kg)
			D1	D	H±6	H1	H2	L	F	WA	WLA	WB	WLB		
14X52	T 4"	115.3	359	369	1336	1331	1060	190	100	8	4	6	2	Standard	11±0.8
14X65	T 4"	146.8	359	369	1661	1656	1390	190	100	8	4	6	2	Standard	13.4±0.8



4"-8UN	internal thread
Middle Dia	3.918-3.930"
Min Dia	3.865-3.875"
Max Dia	4.000-4.010"

Remark
 1. Product type identification see outer packaging logo.
 2. The product color is consistent with the color of the tape packaging box.

Note

1. The vacuum valve must be installed on the device.

2. Operation Instructions
 A. Max working pressure: 8bar (125Psi)
 B. Temperature Range: 1-50°C (34-127°F)
 C. Maximum vacuum: 17Kpa (5" Hg)

Sign			Hebei Chengda WaterTechnology Co., Ltd.		
	Signature	Date	Material	FRP	Projection
Designer	Chengyang Sun	2024. 7. 16	Model	14" up 4"	Name: FRP tank
Review	Jingwei Hu	2024. 7. 18	Version number: 00	Description of Change Version	Drawing No. CD-22-09-27/01
Approve			Please don't measure the size of the drawing		Unit: mm 1 Page Page 1