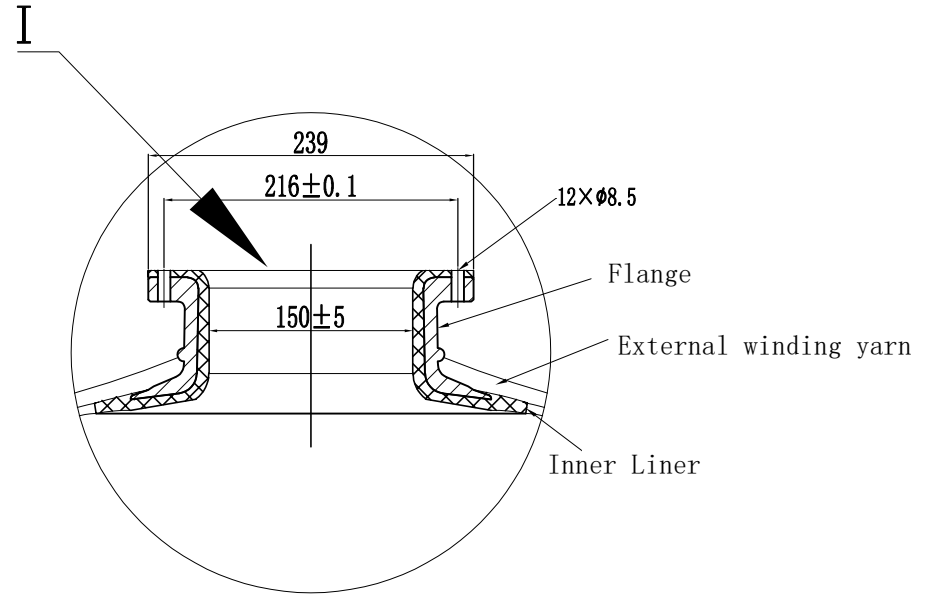


Technical Parameters															
Model	Opening Size	VOL (Ltrs.)	Opening Size (mm)											Base	Weight (kg)
			D1	D	H±25	H1	H2	L	F	WA	WLA	WB	WLB		
24×65	T/B 6"	409.4	614	590	1980	1780	1230	314	100	9	5	7	3	Triangular	40±3
24×72	T/B 6"	460.5	614	590	2140	1940	1395	314	100	9	5	7	3	Triangular	45±3



Note:

- The vacuum valve must be installed on the device.
- Operation Instructions
  - A. Max working pressure: 10.5Bar (150Psi)
  - B. Temperature Range: 1-50°C (34-127°F)
  - C. Maximum vacuum: 17Kpa (5" Hg)

Sign			Hebei Chengda WaterTechnology Co., Ltd.			
	Signature	Date	Material:	FRP	Projection:	
Designer	Chengyang Sun	2024. 7. 16	Model:	24", 6"T/B		
Review	Jingwei Hu	2024. 7. 18	Version number: 00	Description of Change Version:		Drawing No. : CD-22-09-28/57
Approve			Please don't measure the size of the drawing.		Unit: mm	1 Page Page 1