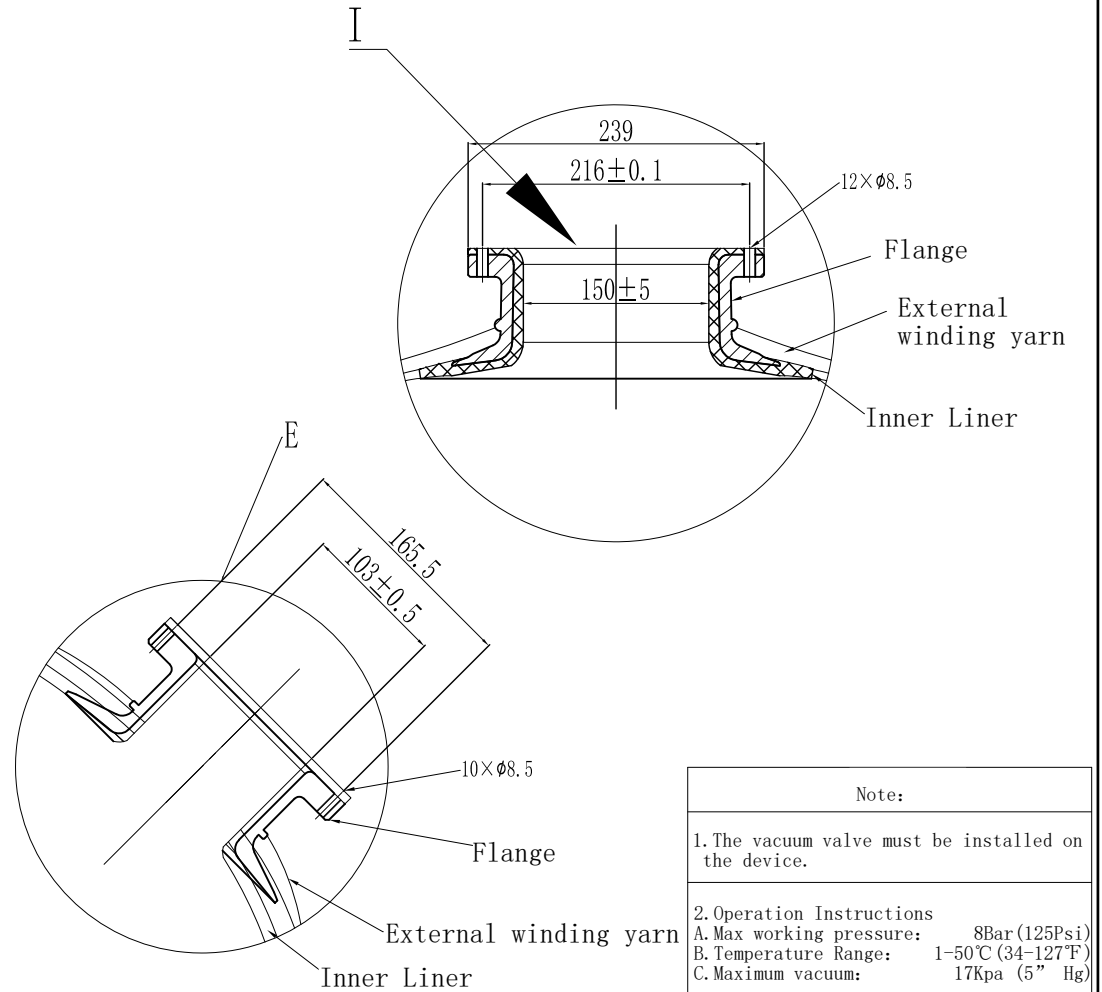


Technical Parameters															
Model	Opening Size	(Ltrs.)	Size Parameters (mm)											Base	Weight (kg)
			D1	D	H±30	H1	H2	L	F	WA	WLA	WB	WLB		
60×79	6079-6-6-D-D	3011	1475	1500	2425	2188	1165	510	100	14.5	8.3	12.5	5.3	Triangular	205±13



Note:

- The vacuum valve must be installed on the device.
- Operation Instructions
  - A. Max working pressure: 8Bar (125Psi)
  - B. Temperature Range: 1-50°C (34-127°F)
  - C. Maximum vacuum: 17Kpa (5" Hg)

Sign			Hebei Chengda WaterTechnology Co., Ltd.			
	Signature	Date	Material:	FRP	Projection:	⊘
Designer	Chengyang Sun	2024. 07. 18	Model:	60", 6"T/B with 4-inch loading and unloading port	Name:	FRP tank
Review	Jingwei Hu	2024. 07. 18	Version00 number:	Description of Change Version:	Drawing No.:	CD-22-09-27/55
Approve			Please don't measure the size of the drawing		Unit: mm	1 Page Page 1