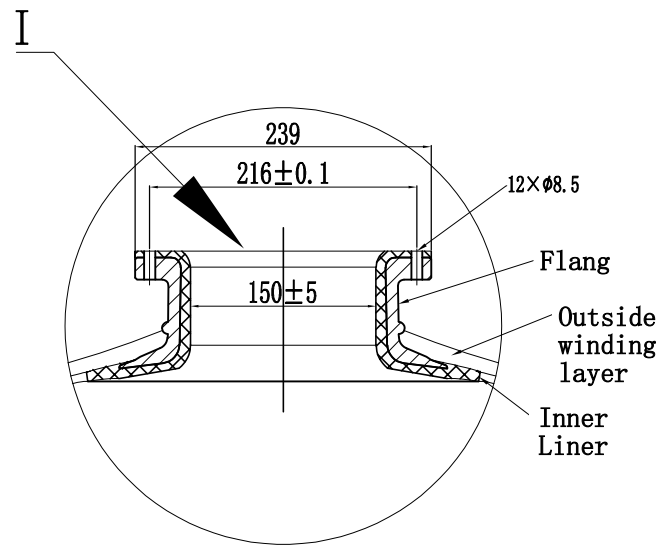


Technical Parameters															
Model	Opening Size	VOL (Ltrs.)	Size Parameters (mm)											Base	Weight (kg)
			D1	D	H±30	H1	H2	L	F	WA	WLA	WB	WLB		
60×79	6" T/B	3011.5	1479	1500	2425	2188	1165	510	100	25	15	18	7	Triangular	227±13



Note:

- The vacuum valve must be installed on the device.
- Operation Instructions:
 - Max working pressure: 10.5Bar (150Psi)
 - Temperature Range: 1-50°C (34-127°F)
 - Maximum vacuum: 17Kpa (5"Hg)

Remark

- Product type identification see outer packaging logo.
- The product color is consistent with the color of the tape packaging box.

Sign			Hebei Chengda WaterTechnology Co., Ltd.			
	Signature	Date	Material:	FRP	Projection:	
Designer	Chengyang Sun	2024. 7. 16	Model:	60", 6" T/B	Name: FRP tank	
Review	Jingwei Hu	2024. 7. 18	Version number: 00	Description of Change Version	Drawing No. CD-22-03-31/110	
Approve			Please don't measure the size of the drawing		Unit: mm	1 Page Page 1